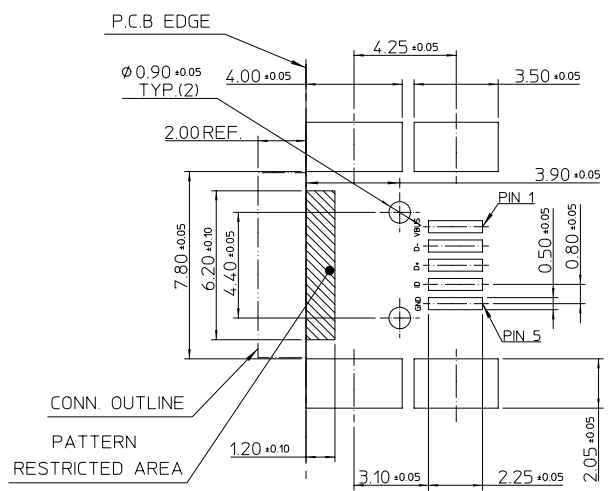


NOTE :

- MATERIAL :
 HOUSING : NYLON GLASS FILLED , BLACK,UL94V-0
 TERMINAL : COPPER ALLOY THICKNESS = 0.2 MM
 SHIELD CASE : COPPER ALLOY THICKNESS = 0.4 MM
- PLATING :
 TERMINAL:
 CONTACT AREA : GOLD 0.75 MICROMETER MINIMUM.
 SOLDER TAIL AREA : TIN-LEAD 3.8 MICROMETER MINIMUM.
 UNDER PLATING : NICKEL 1.25 MICROMETER MINIMUM.
 SHIELD CASE :
 TIN - LEAD 2.5 MICROMETER MINIMUM.
 UNDER PLATING : NICKEL 1.0 MICROMETER MINIMUM.
- TAIL & NAIL COPLANARITY 0.1 mm MAXIMUM.



RECOMMENDED P.C.B. PATTERN LAYOUT

MODIFY MALAR LENGTH EC NO: T2003-0026 DRWN: ALLIN 2002/08/06 CHKD: 2002/08/08 APPR: MWSCHANG 2002/08/12	QUALITY SYMBOLS ▽ = 0 C = 0 S = 0	GENERAL TOLERANCES (UNLESS SPECIFIED)		SCALE 8:1	DESIGN UNITS METRIC	THIRD ANGLE PROJECTION	REVISE ON CAD ONLY	
		mm	INCH	DIMENSION STYLE MM ONLY		TITLE USB SERIES MINI-B REC. ASS'Y SMT TYPE		
		4 PLACES ± ---	± ---	DRAWN BY ALLIN	DATE '01/10/23	MOLEX INCORPORATED		
		3 PLACES ± ---	± ---	CHECKED BY VLIN	DATE '01/10/23	MATERIAL NO. 67503-0020	DOCUMENT NO. SD-67503-003	SHEET NO. 1 OF 1
		2 PLACES ± 0.15	± ---	APPROVED BY ELAN	DATE '01/10/23	THIS DRAWING CONTAINS INFORMATION THAT IS PROPRIETARY TO MOLEX INCORPORATED AND SHOULD NOT BE USED WITHOUT WRITTEN PERMISSION		
		1 PLACE ± 0.25	± ---	DRAFT WHERE APPLICABLE MUST REMAIN WITHIN DIMENSIONS		A3		